



CDEVN *Art Sourced from Artificial light*

Catalogue

STREET LIGHT

CDE VINA CO..LTD

CDE LIGHTING



LED STREET LIGHT

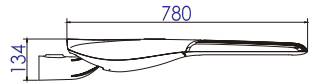
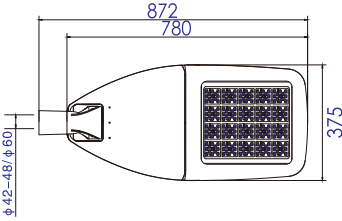
CDE-SL7500-7503



SHANGHAI SHYLON OPTRONIC TECHNOLOGY CO.,

Road Light Series

SL7500

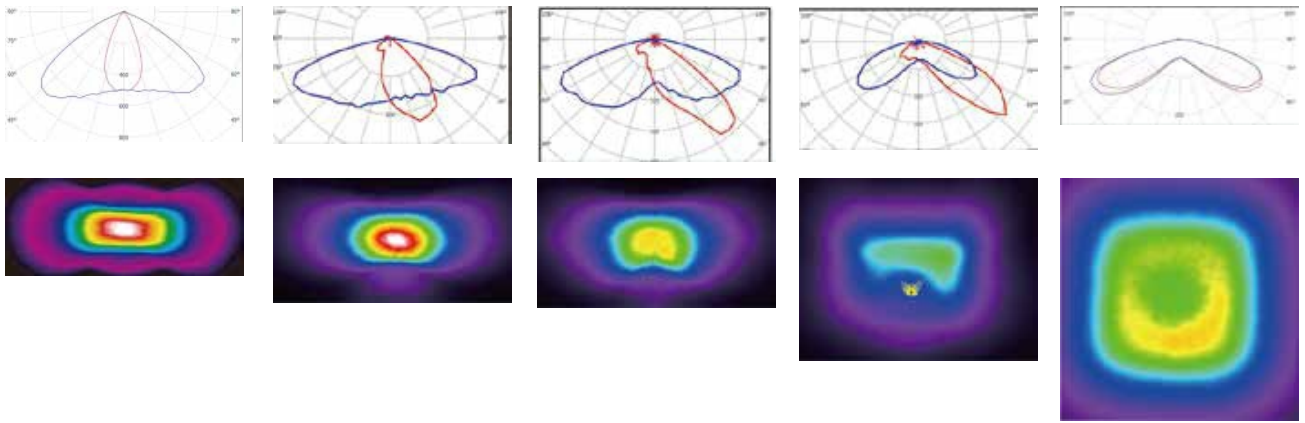


产品简介 Product Introduction

- 一、独创的流体雕塑式灯体结构,卡扣式开启,内置快速插拔连接器,开盖后自动断电,安装维护方便安全。
 - 二、灯体采用高强度压铸铝材料,表面氟碳喷涂处理;灯罩采用透光率94%的高性能钢化玻璃。
 - 三、采用美国CREE大功率LED光源,高光通量输出,光色一致性优良;具有多种透镜角度可选,合理控制光的分布,保证理想的路面亮度及均匀度。
 - 四、输入电压100-305V AC,驱动电源效率高达93%,防雷击6KV;内置主动式功率因数校正,功率因数大于0.95;电源内建PWM恒流技术,效率高,热量低,恒流精度高。
 - 五、可加装防雷保护模块,防浪涌电流高达20KA。
- 1、The luminaire is shaped as original fluid sculpture ,designed to lift up by snapping, and in-built quick plug connector. The luminaire enables to switch off automatically after removing the lid, which keeps the installation and maintenance secure and convenient.
 - 2、The housing is high strength die-casting aluminum, the appearance with fluorine carbon spraying; diffuser is high-performance tempered glass which owns 94% light transmittance.
 - 3、Adopt American CREE original LED light source, high flus output, excellent consistency of light color; provide types of optional beam angle, control the light distribution rationally, ensure street surface with ideal brightness and uniformity.
 - 4、The diver in- built which owns power efficiency as high as 93% is with the input voltage 100-305V AC and 6KV lightning stroke resistance, in-built active power factor with correction surpasses 0.95; Construct PWM constant current technology internal with the performance of high efficiency, low heat and superior precision of constant current.
 - 5、Support the installation of lightning protection module which can prevent the luminaire from attack of surge as high as 20KA.

技术参数 Specification

产品型号/ Product Code	SL7500-M235	SL7500-M200	SL7500-M180	SL7500-M150	SL7500-C215
Led品牌/ Led Brand	LUMILEDS	LUMILEDS	LUMILEDS	LUMILEDS	CREE
Led数量/ Led Quantity	80pcs	64pcs	64pcs	48pcs	80pcs
额定功率/ Rared Power	235W	205W	180W	155W	215W
输入电压/ Input Voltage	AC100-305V	AC100-305V	AC100-305V	AC100-305V	AC100-305V
频率/ Frequency Range	50/60Hz	50/60Hz	50/60Hz	50/60Hz	50/60Hz
颜色 / Color	3000K / 4000K / 5000K / 6000K				
发光角度/ Beam Angle	120X50° 150X65° 150X60° 140X30° 148°				
控制方式/ Control Mode	CC / PLC / Zigbee / Light-operated control				
使用寿命/ Life	80000H	80000H	80000H	80000H	80000H
功率因数/ Power Factor	>0.95	>0.95	>0.95	>0.95	>0.95
防浪涌电压/ Surge Voltage	>6KV	>6KV	>6KV	>6KV	>6KV
防护等级/ Protection Grade	IP66	IP66	IP66	IP66	IP66
环境温度/ Ambient Temperature	-25℃~50℃	-25℃~50℃	-25℃~50℃	-25℃~50℃	-25℃~50℃
环境湿度/ Ambient Humidity	10%~90%	10%~90%	10%~90%	10%~90%	10%~90%
产品型号/ Product Code	SL7500-C180	SL7500-C150	SL7500-M235HE	SL7500-M200HE	
Led品牌/ Led Brand	CREE	CREE	LUMILEDS	LUMILEDS	
Led数量/ Led Quantity	80pcs	80pcs	117Pcs	96Pcs	
额定功率/ Rared Power	180W	150W	235W	235W	
输入电压/ Input Voltage	AC100-305V	AC100-305V	AC100-305V	AC100-305V	
频率/ Frequency Range	50/60Hz	50/60Hz	50/60Hz	50/60Hz	
颜色 / Color	3000K / 4000K / 5000K / 6000K		3000K4000K/5000K/6000K		
发光角度/ Beam Angle	120X50° 150X65° 150X60° 140X30° 148°		150X60° 90°		
控制方式/ Control Mode	CC / PLC / Zigbee / Light-operated control		CC / PLC/ zigbee / Light-operated control		
使用寿命/ Life	80000H	80000H	80000H	80000H	
功率因数/Power Factor	>0.95	>0.95	>0.95	>0.95	
防浪涌电压/Surge Voltage	>6KV	>6KV	>6KV	>6KV	
防护等级/ Protection Grade	IP66	IP66	IP66	IP66	
环境温度/ Ambient Temperature	-25℃~50℃	-25℃~50℃	-25℃~50℃	-25℃~50℃	
环境湿度/ Ambient Humidity	10%~90%	10%~90%	10%~90%	10%~90%	



TYPE1

TYPE2

TYPE3

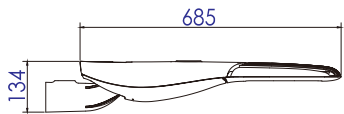
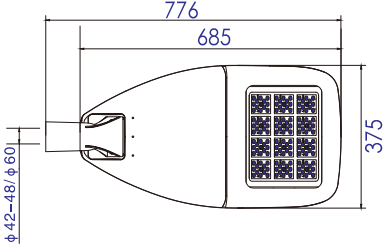
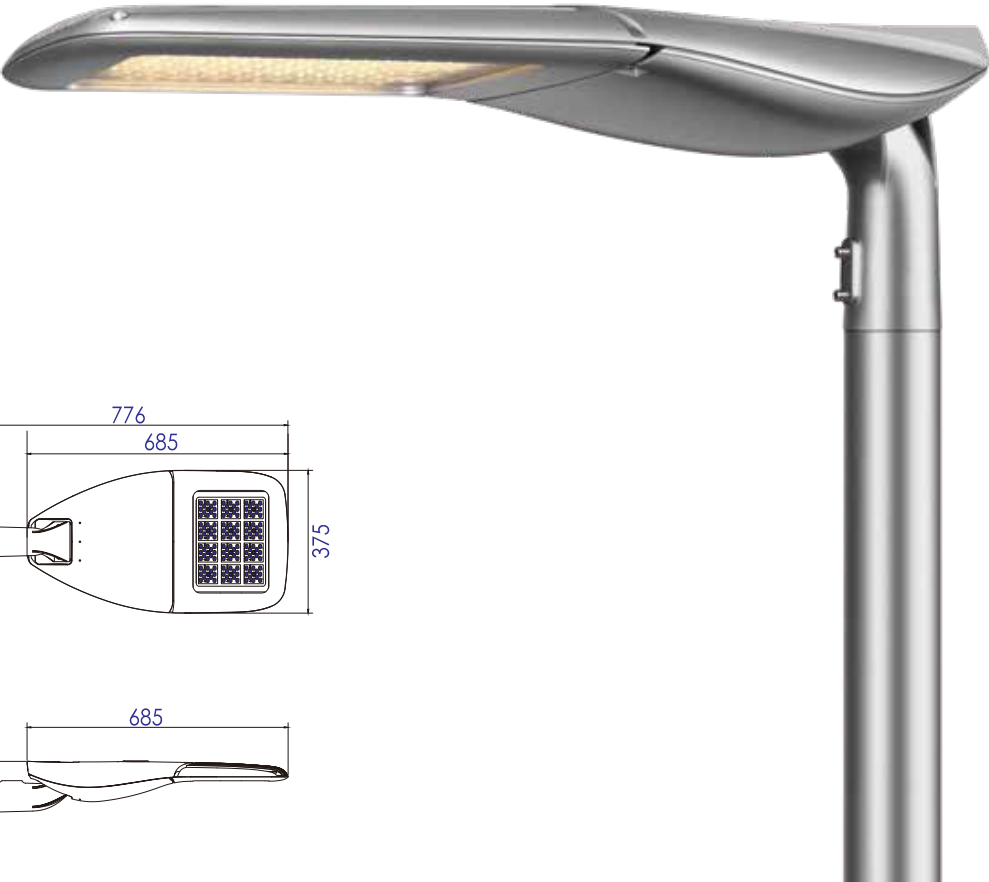
TYPE4

TYPE5



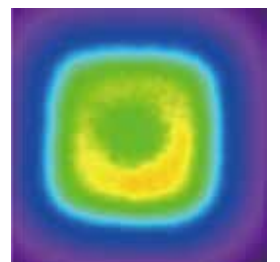
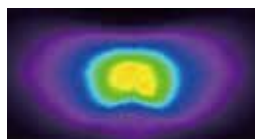
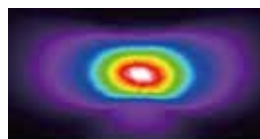
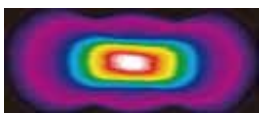
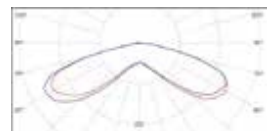
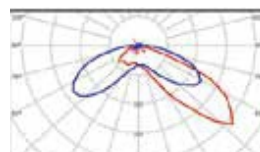
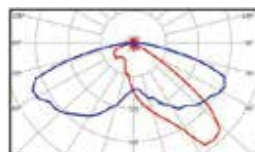
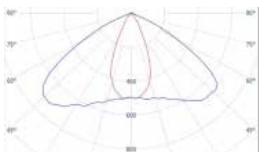
Road Light Series

SL7501



技术参数 Specification

产品型号/ Product Code	SL7501-M155	SL7501-M125	SL7501-M105	SL7501-M80	SL7501-C135
Led品牌/ Led Brand	LUMILEDS	LUMILEDS	LUMILEDS	LUMILEDS	CREE
Led数量/ Led Quantity	48pcs	48pcs	32pcs	32pcs	48pcs
额定功率/ Rated Power	155W	125W	105W	80W	135W
输入电压/ Input Voltage	AC100-305V	AC100-305V	AC100-305V	AC100-305V	AC100-305V
频率/ Frequency Range	50/60Hz	50/60Hz	50/60Hz	50/60Hz	50/60Hz
颜色 / Color	3000K / 4000K / 5000K / 6000K				
发光角度/ Beam Angle	120X50° 150X65° 150X60° 140X30° 148°				
控制方式/ Control Mode	CC / PLC / Zigbee / Light-operated control				
使用寿命/ Life	80000H	80000H	80000H	80000H	80000H
功率因数/ Power Factor	>0.95	>0.95	>0.95	>0.95	>0.95
防浪涌电压/ Surge Voltage	>6KV	>6KV	>6KV	>6KV	>6KV
防护等级/ Protection Grade	IP66	IP66	IP66	IP66	IP66
环境温度/ Ambient Temperature	-25℃~50℃	-25℃~50℃	-25℃~50℃	-25℃~50℃	-25℃~50℃
环境湿度/ Ambient Humidity	10%~90%	10%~90%	10%~90%	10%~90%	10%~90%
产品型号/ Product Code	SL7501-C110	SL7501-C80	SL7501-M150HE	SL7501-M125HE	
Led品牌/ Led Brand	CREE	CREE	LUMILEDS	LUMILEDS	
Led数量/ Led Quantity	48pcs	36pcs	72Pcs	70Pcs	
额定功率/ Rated Power	110W	80W	155W	125W	
输入电压/ Input Voltage	AC100-305V	AC100-305V	AC100-305V	AC100-305V	
频率/ Frequency Range	50/60Hz	50/60Hz	50/60Hz	50/60Hz	
颜色 / Color	3000K / 4000K / 5000K / 6000K				
发光角度/ Beam Angle	120X50° 150X65° 150X60° 140X30° 148°		150X60° 90°		
控制方式/ Control Mode	CC / PLC / Zigbee / Light-operated control		CC / PLC/ Zigbee / Light-operated control		
使用寿命/ Life	80000H	80000H	80000H	80000H	80000H
功率因数/ Power Factor	>0.95	>0.95	>0.95	>0.95	>0.95
防浪涌电压/ Surge Voltage	>6KV	>6KV	>6KV	>6KV	>6KV
防护等级/ Protection Grade	IP66	IP66	IP66	IP66	IP66
环境温度/ Ambient Temperature	-25℃~50℃	-25℃~50℃	-25℃~50℃	-25℃~50℃	-25℃~50℃
环境湿度/ Ambient Humidity	10%~90%	10%~90%	10%~90%	10%~90%	10%~90%



TYPE1

TYPE2

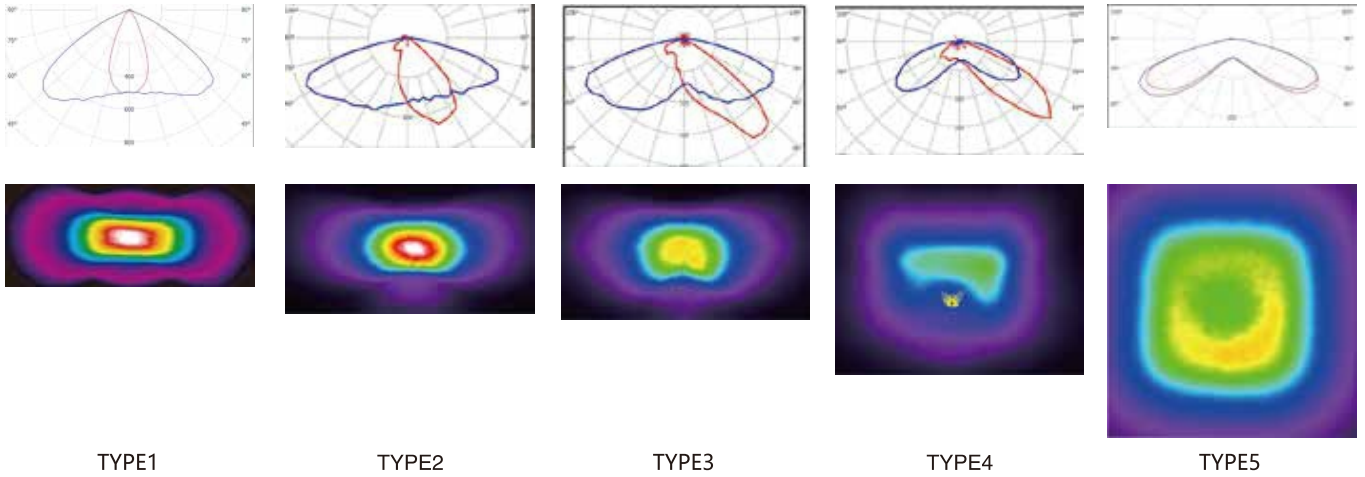
TYPE3

TYPE4

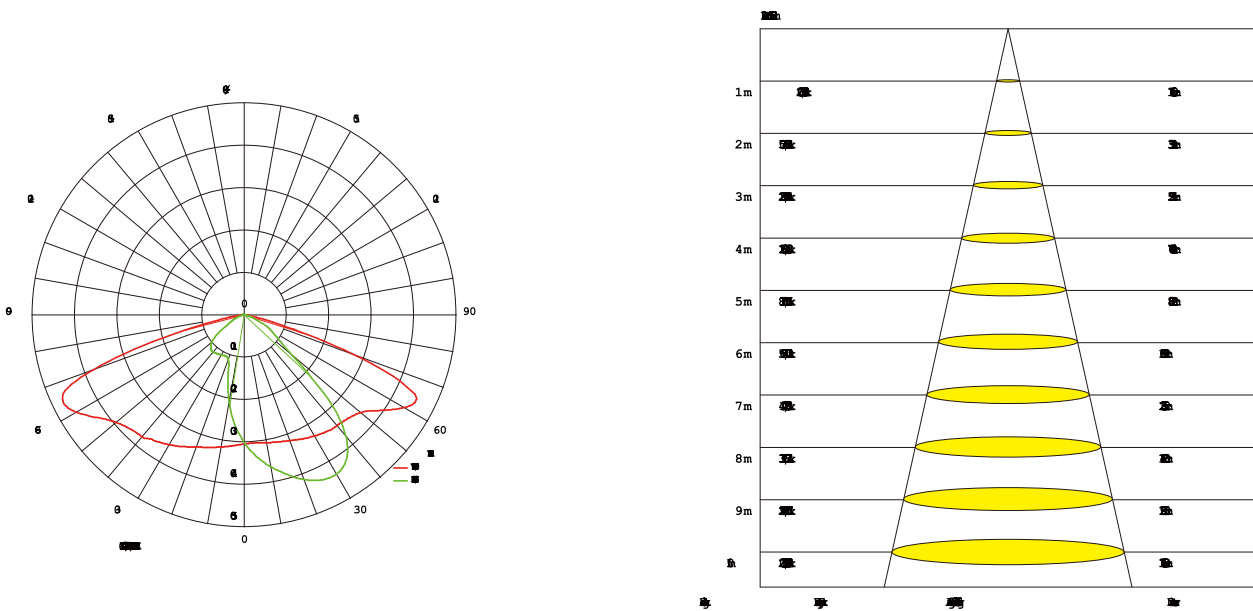
TYPE5

技术参数 Specification

产品型号/ Product Code	SL7502-M110	SL7502-M80	SL7502-C80	SL7502-M110HE	SL7502-M80HE
Led品牌/ Led Brand	LUMILEDS	LUMILEDS	CREE	LUMILEDS	LUMILEDS
Led数量/ Led Quantity	36pcs	24pcs	36pcs	54pcs	42pcs
额定功率/ Rared Power	105W	80W	80W	110W	80W
输入电压/ Input Voltage	AC100-305V	AC100-305V	AC100-305V	AC100-305V	AC100-305V
频率/ Frequency Range	50/60Hz	50/60Hz	50/60Hz	50/60Hz	50/60Hz
颜色/ Color	3000K / 4000K / 5000K / 6000K				
发光角度/ Beam Angle	120X50° 150X65° 150X60° 140X30° 148°			150X60° 90°	
控制方式/ Control Mode	CC / PLC/ zigbee / Light-operated control			CC / PLC/ zigbee / Light-operated control	
使用寿命/ Life	80000H	80000H	80000H	80000H	80000H
功率因数/ Power Factor	>0.95	>0.95	>0.95	>0.95	>0.95
防浪涌电压/ Surge Voltage	>6KV	>6KV	>6KV	>6KV	>6KV
防护等级/ Protection Grade	IP66	IP66	IP66	IP66	IP66
环境温度/ Ambient Temperature	- 25°C ~ 50°C	- 25°C ~ 50°C	- 25°C ~ 50°C	- 25°C ~ 50°C	- 25°C ~ 50°C
环境湿度/ Ambient Humidity	10% ~ 90%	10% ~ 90%	10% ~ 90%	10% ~ 90%	10% ~ 90%



配光曲线 (全角) Distribution Curve Flux (SBC Case)



SL7500/SL7501/SL7502/SL7503

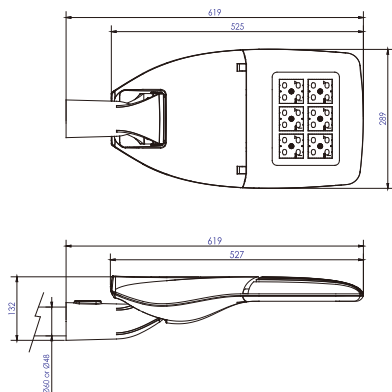


- 可选配件
Optional Accessories
- 1. 防雷器
SPD
 - 2. PLC 单灯控制器
PLC Controller
 - 3. Zigbee 无线控制模块
Zigbee Wireless Control Module



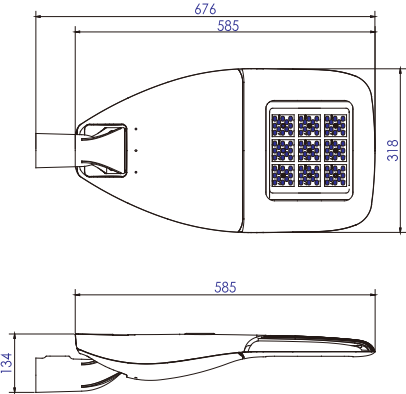
Road Light Series

SL7503



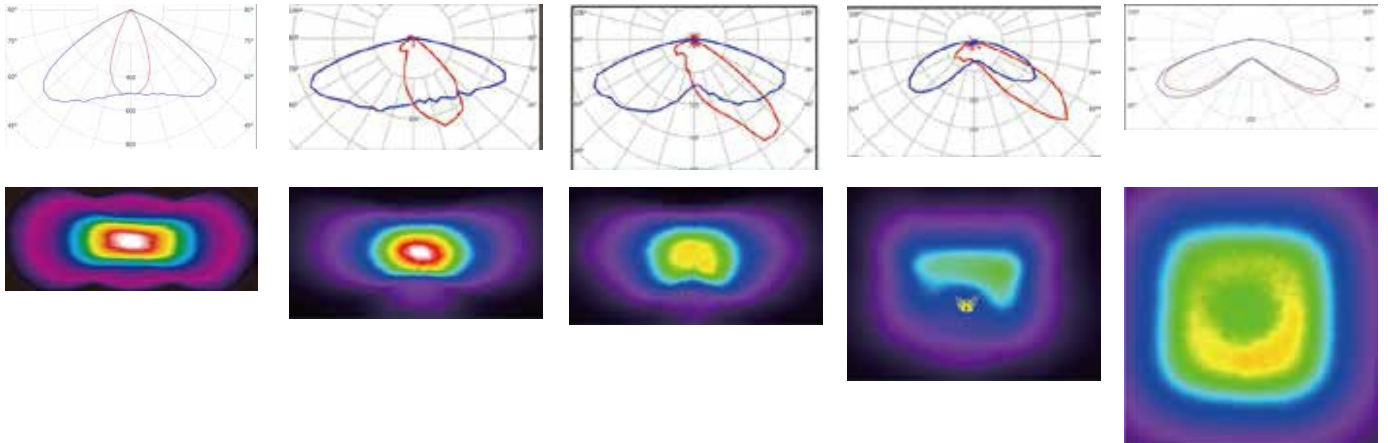
Road Light Series

SL7502



技术参数 Specification

产品型号/ Product Code	SL7503-M60	SL7503-C60	SL7503-M60HE
Led品牌/ Led Brand	LUMILEDS	CREE	LUMILEDS
Led数量/ Led Quantity	24pcs	24pcs	42pcs
额定功率/ Rated Power	60W/40W	60W	60W
输入电压/ Input Voltage	AC100-305V	AC100-305V	AC100-305V
频率/ Frequency Range	50/60Hz	50/60Hz	50/60Hz
颜色 / Color	3000K / 4000K / 5000K / 6000K		
发光角度/ Beam Angle	120X50° 150X65° 150X60° 140X30° 148°		150X60° 90°
控制方式/ Control Mode	CC / PLC/ zigbee / Light-operated control		
使用寿命/ Life	80000H	80000H	80000H
功率因数/ Power Factor	>0.95	>0.95	>0.95
防浪涌电压/ Surge Voltage	>6KV	>6KV	>6KV
防护等级/ Protection Grade	IP66	IP66	IP66
环境温度/ Ambient Temperature	- 25°C ~ 50°C	- 25°C ~ 50°C	- 25°C ~ 50°C
环境湿度/ Ambient Humidity	10% ~ 90%	10% ~ 90%	10% ~ 90%



TYPE1

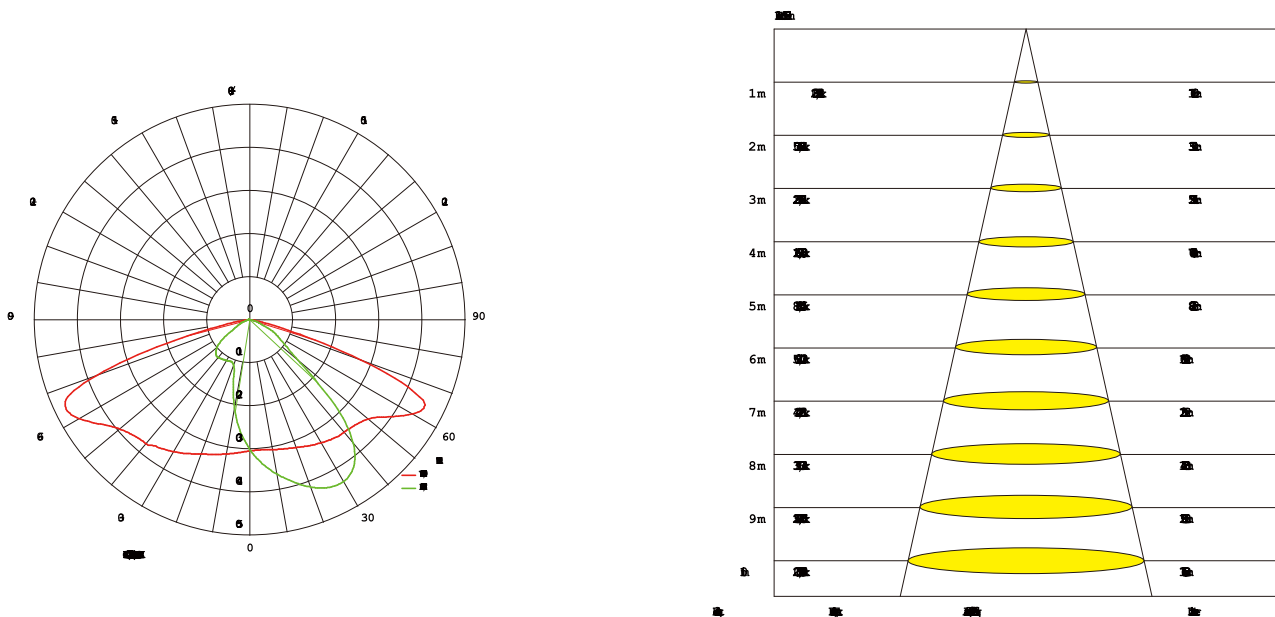
TYPE2

TYPE3

TYPE4

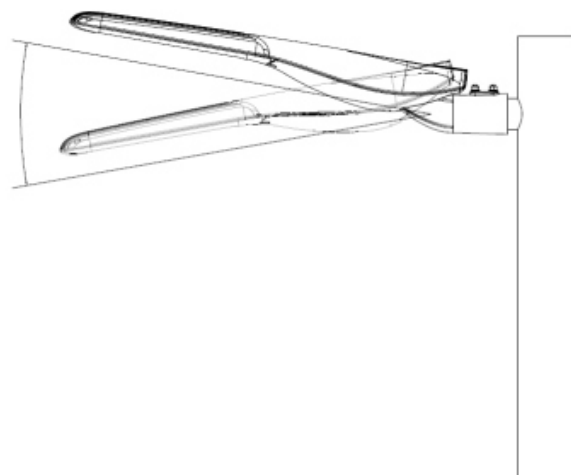
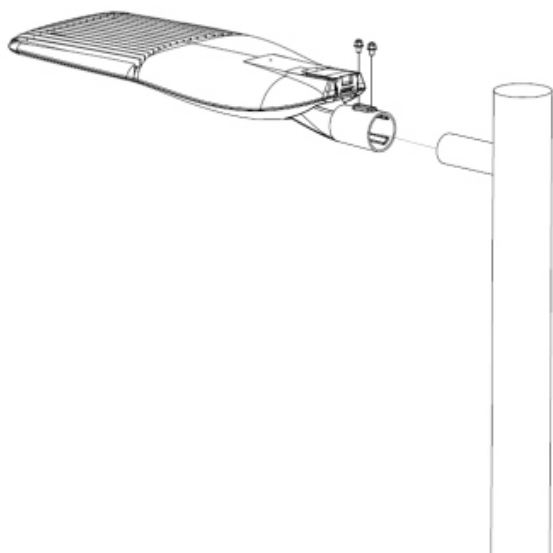
TYPE5

配光曲线 (全角) Distribution Curve Flux (SBC Case)

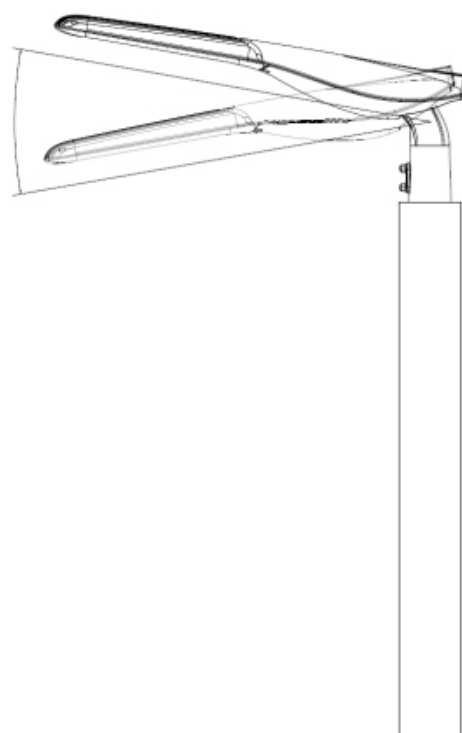
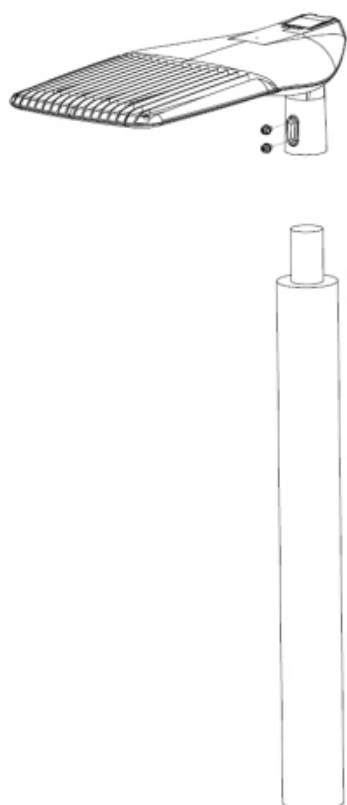


➤ **Installation**

-Type A

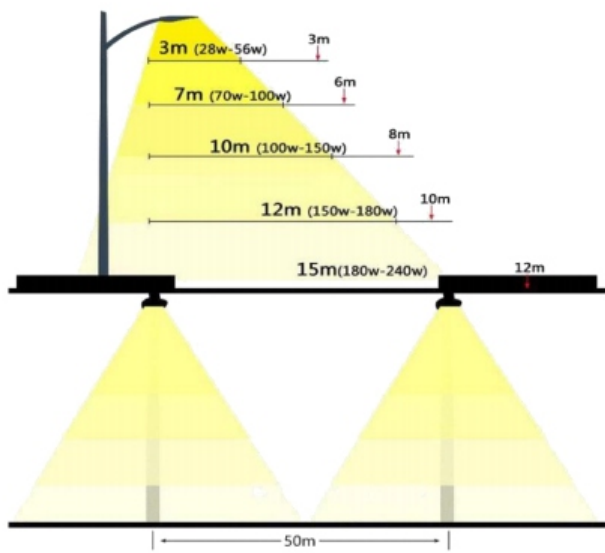


-Type B





• Sketch map of street lamp reference installation •





Thank you...

Nhà nhập khẩu: CÔNG TY TNHH CDE VINA

Trụ sở chính: K139 đường Tô Hiệu, Phường Hòa Minh, Quận Liên Chiểu, Thành phố Đà Nẵng

Văn phòng: 49 đường Trần Đăng, P Hòa Minh, Q Liên Chiểu

Điện thoại: 0236 3 508 455 **Hotline:** 0906457068

Website: <http://www.cdevina.vn>

Email: sales@cdevina.vn

Nhà sản xuất:

SHANGHAI SHYLON OPTRONICTECHNOLOGY CO., LTD.